



GEO SUBMERSIBLE PUMP

Design and Advanced Features

- Water cooled motor to ensure a long life in continuous and intermittent operation, with high efficiency and energy savings.
- Incorporating a dry motor with thermal auto-cut that prevents the motor from heating.
- Greatly increased maximum submersion depth due to mechanical seal resistant to high pressure.
- The cast iron upper cover and strengthened AISI304SS pumps casing, which can provide better anti-hitting performance.
- The impeller is designed by 3D technology and made of chrome steel, which can improve the efficiency and extend the product lifetime.
- The KC pump strainer can be easily removed and replaced with a check valve, which allows for dewatering up to max.8m deep of underground water and water circulation applications.

Applications

- Agriculture water supply and drainage
- Water supply for agriculture irrigation systems and underground water pumping
- Extraction of water from rivers, lakes and reservoirs

Specifications

- **Capacity:** up to 108m³/h
- **Head:** up to 31 meters
- **Power:** 1.5kW (2HP) to 5.5 kW (7.5HP)
- **Power supply:** three phase 400V ± 10%,50Hz
380V ± 10%,60Hz
- **Insulation Class:** F
- **protection Class:** IP68
- **Cable length:** 8m
- **water temperature:** up to 40 °C
- **Max. water depth:** 25m



Special features on request

- Other Voltages
- The length of cable is optional



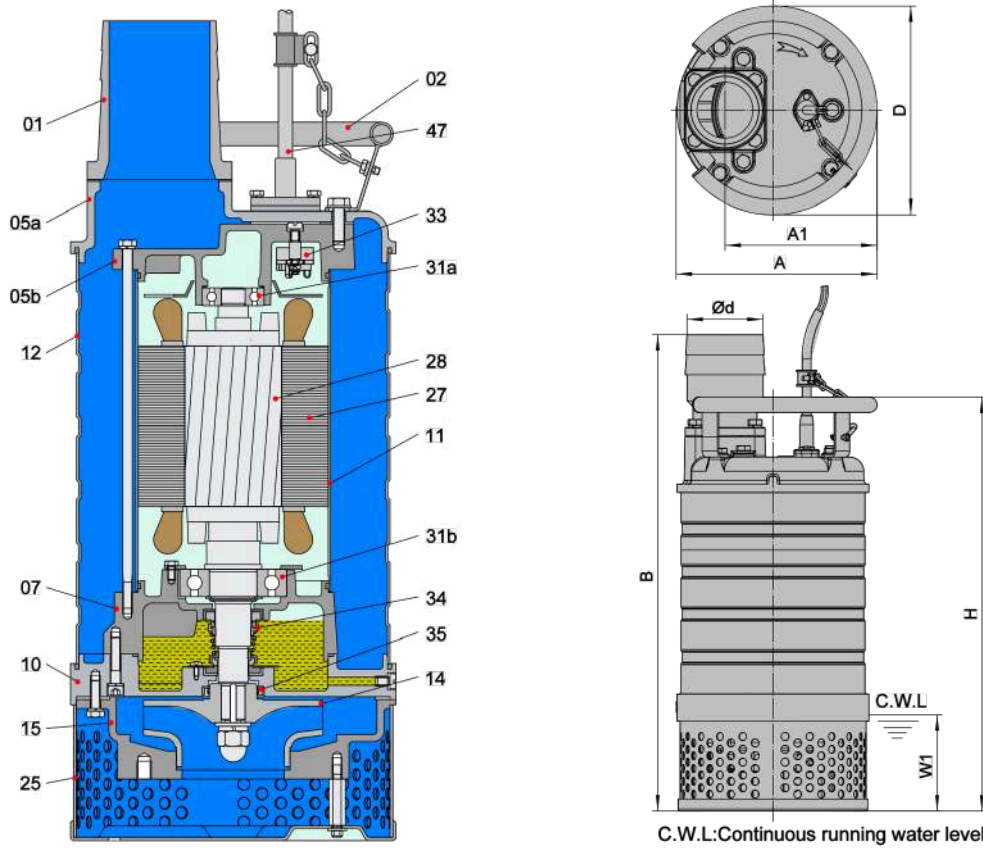
Authorized Distributor:
MOHAMMED AHMED AL-AWANI TRADING COMPANY

MASTCOSA DELIVERING SOLUTIONS Dewatering Pump Sales | Dewatering Accessories | Hoses & Fittings | Pump Parts | Pump Rental | Pump Service

E-mail: sales@mastoosa.com
www.mastcosa.com

Building No. 3192 - King Saud Street - Al
Amarah District Dammam - Zip Code
32415 - Additional No7068 - Unit No 73

Phone Number: +966 13 833 4575 +966
13 833 5156



Material of construction

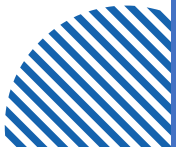
Item No.	Part name	Material	Item No.	Part name	Material
01	Hose coupling	Cast iron	25	Strainer	AISI304SS
02	Handle	steel	27	Stator	
05a	Upper cover	Cast iron	28	Rotor	Shaft:420SS
05b	Upper cover	Cast iron	31a	Bearing	Ball bearing
07	Bearing house	Cast iron	31b	Bearing	Ball bearing
10	Seal house	Cast iron	33	Motor protector	
11	Motor casing	Stainless steel	34	Mechanical seal	Sic-Sic/Carbon-Sic(≤2.2kW) Sic-Sic/Sic-Sic(3.7-5.5kW)
12	Outer casing	AISI304SS	35	Oil seal	
14	Impeller	Chrome steel	47	Cable	H07RN-F
15	Diffuser	Cast iron			

Dimensions & Weights

Model (50/60Hz)	d	A	A1	B	D	H	W1	N.W	G.W	Packing dimension
KC31.5	80	251	191	573	262	515	110	38.5	42.5	625×290×315
KC32.2	80	251	191	573	262	515	110	41	45	625×290×315
KC42.2	100	251	191	593	262	515	110	41	45	645×290×315
KC43.7	100	288	213	677	302	579	135	60	66	730×320×345
KC45.5	100	288	213	717	302	619	135	67	73	770×320×345



Authorized Distributor:
MOHAMMED AHMED AL-AWANI TRADING COMPANY



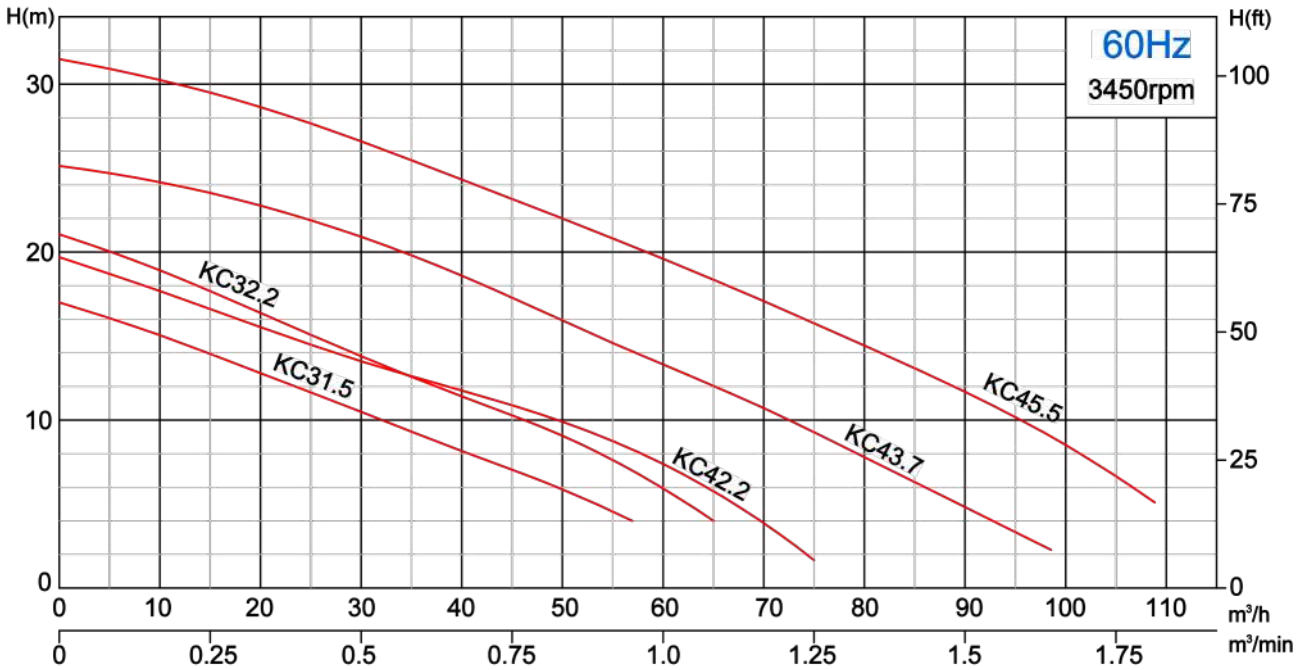
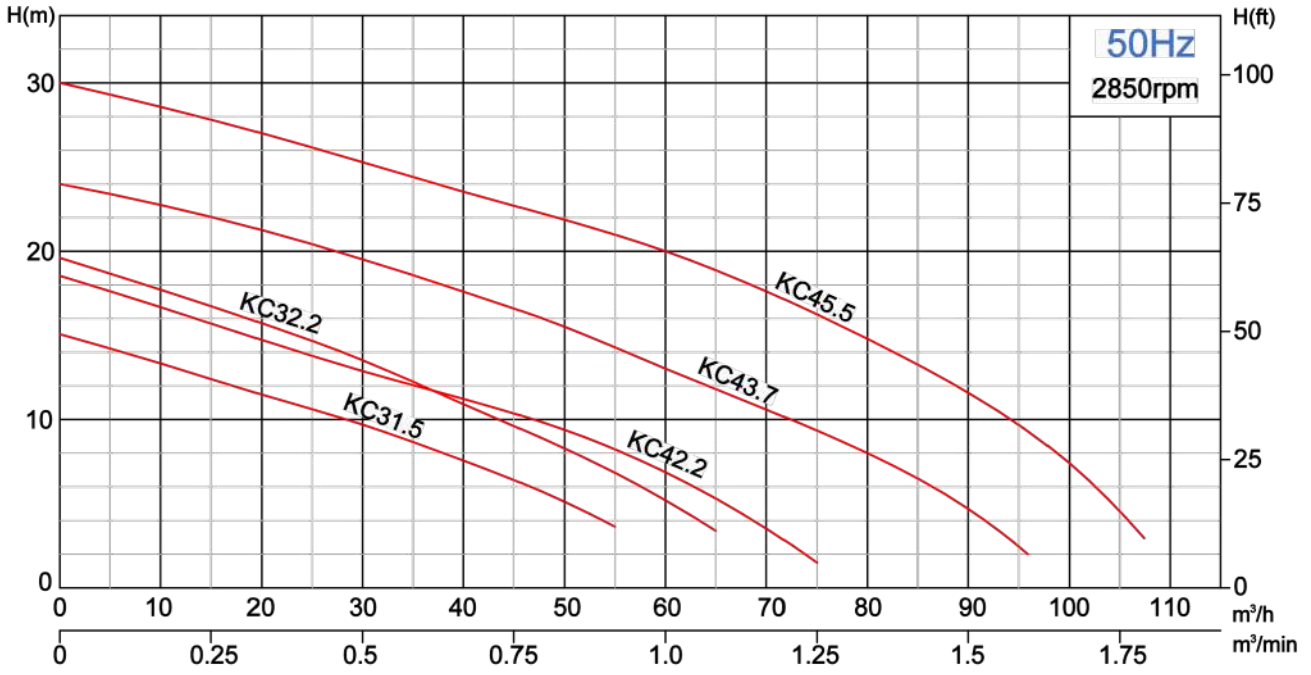
MASTCOSA DELIVERING SOLUTIONS Dewatering Pump Sales | Dewatering Accessories | Hoses & Fittings | Pump Parts | Pump Rental | Pump Service

E-mail: sales@mastcosa.com
www.mastcosa.com

Building No. 3192 - King Saud Street - Al
Amarah District Dammam - Zip Code
32415 - Additional No7068 - Unit No 73

Phone Number: +966 13 833 4575 +966
13 833 5156

Performance curves



Performance table

Model (50/60Hz)	Outlet	Motor power		Rated current	Rated capacity		Rated head	Max capacity		Max Head	Impeller Passage
	mm	kW	HP	A	m³/h	m³/min	m	m³/h	m³/min	m	mm
KC31.5	80	1.5	2	3.5	30	0.5	10	57	0.95	15/17	10
KC32.2	80	2.2	3	5.0/5.1	30	0.5	13	65	1.08	20/21	10
KC42.2	100	2.2	3	5.0/5.1	48	0.8	10.5	75	1.25	19/20	10
KC43.7	100	3.7	5	7.7/8.0	60	1.0	13.5	96	1.6	24/25	10
KC45.5	100	5.5	7.5	11.4/11.6	60	1.0	20	108	1.8	30/31	10



Authorized Distributor:
MOHAMMED AHMED AL-AWANI TRADING COMPANY

